

# AUTOMATIC PIPE CUTTERS

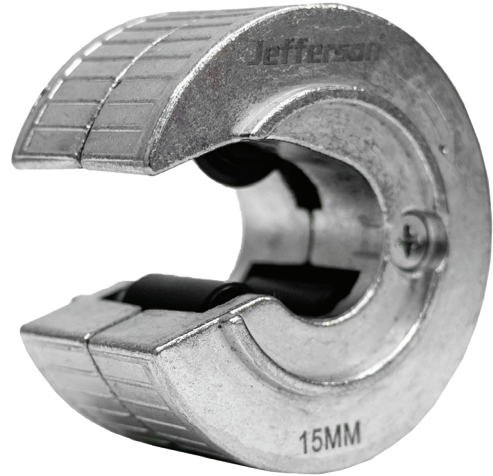
PROFESSIONAL

15MM **JEFPCUTA03-15**    22MM **JEFPCUTA04-22**    28MM **JEFPCUTA05-28**

- Available in 15, 22 or 28mm capacities
- Suitable for copper cutting
- Ideal for cutting in confined spaces

Weight and Dimensions

- 15mm
- 0.21kg / 185 x 75 x 40mm
- 22mm
- 0.23kg / 185 x 75 x 40mm
- 28mm
- 0.295kg / 185 x 75 x 40mm



COMPATIBLE CUTTING WHEELS



BARCODE	PRODUCT
5060813457328	JEFPCUTWHL01

OTHER NEW PRODUCTS IN THE RANGE

- Automatic Ratchet Pipe Cutters
- Mini Pipe Cutter
- Manual Pipe Cutter
- Pipe Deburrer



BARCODE	PRODUCT	CAPACITY
5060813457298	JEFPCUTA03-15	15mm
5060813457304	JEFPCUTA04-22	22mm
5060813457311	JEFPCUTA05-28	28mm