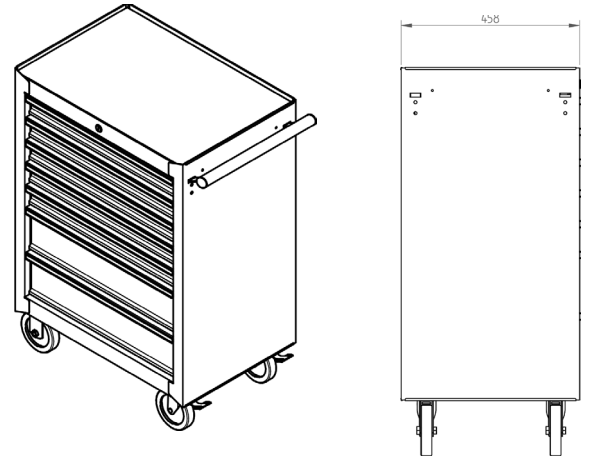




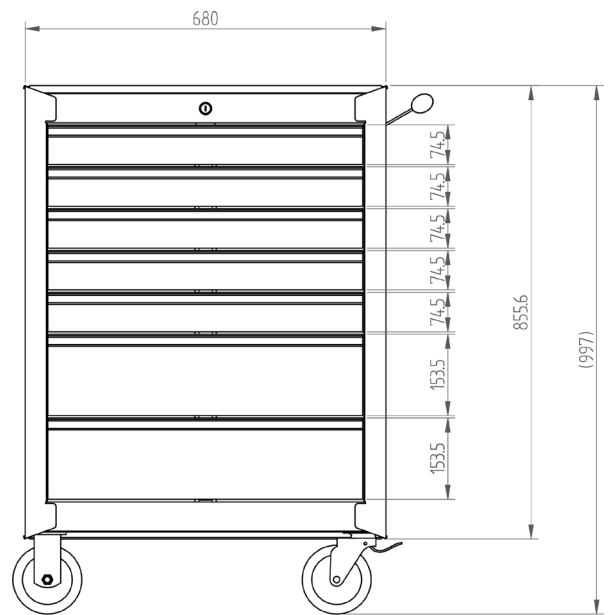
INTRODUCTION

- 7 Drawer mobile tool chest
- Modular storage compatibility: **bottom section**
- Ideal for garage tool storage
- Locking mechanism for added security
- Ball bearing drawer sliders for smooth operation
- Maximum storage load: **250kg**
- Drawer liners and top mat included for tool & drawer protection
- Supplied with smooth running castors



OPERATION & MAINTENANCE

- Do not open more than one loaded drawer at a time
- Open and close the drawers smoothly - do not slam or force them
- Close the lid and lock the drawers before moving the chest
- Do not stand on the chest or use it to support heavy weights
- Do not mount the chest on a vehicle
- Do not exceed the rated drawer storage load capacity or the overall load capacity for the chest
- Ensure the chest is kept clean and dry, free from dirt, grease and debris
- Clean and wax / polish regularly to avoid rust and corrosion
- Keep tools clean and organised
- Store in a dry environment
- Lubricate the top and bottom channels of the drawer slides at least twice a year
- Contact Jefferson Tools for further advice on repair, maintenance and spare parts for this equipment



SPECIFICATIONS

| | | | | |
|--------------------------------------|-------------------------------------|---------------------|-----------------------------------|------|
| Model Number: | JEFTBX07A | | | |
| Drawer 1 (Top): | Dimensions: | 570 x 406 x 74.5mm | Max Load | 20kg |
| Drawer 2 | Dimensions: | 570 x 406 x 74.5mm | Max Load | 20kg |
| Drawer 3 | Dimensions: | 570 x 406 x 74.5mm | Max Load | 20kg |
| Drawer 4 | Dimensions: | 570 x 406 x 74.5mm | Max Load | 20kg |
| Drawer 5 | Dimensions: | 570 x 406 x 74.5mm | Max Load | 20kg |
| Drawer 6 | Dimensions: | 570 x 406 x 153.5mm | Max Load | 30kg |
| Drawer 7 (Bottom) | Dimensions: | 570 x 406 x 153.5mm | Max Load | 30kg |
| Maximum Overall Storage Load: | 250kg | | | |
| Overall Dimensions: | 680 x 458 x 856mm (without casters) | | 680 x 458 x 995 mm (with casters) | |
| NW: | 57.5kg | | | |

LIMITED WARRANTY STATEMENT

Jefferson Professional Tools & Equipment, or hereafter "Jefferson" warrants its customers that its products will be free of defects in workmanship or material. Jefferson shall, upon suitable notification, correct any defects, by repair or replacement, of any parts or components of this product that are determined by Jefferson to be faulty or defective.

This warranty is void if the equipment has been subjected to improper installation, storage, alteration, abnormal operations, improper care, service or repair.

Warranty Period

Jefferson will assume both the parts and labour expense of correcting defects during the stated warranty periods below.

All warranty periods start from the date of purchase from an authorised Jefferson dealer. If proof of purchase is unavailable from the end user, then the date of purchase will be deemed to be 3 months after the initial sale to the distributor.

1 Year

- Jefferson JEFTBX07A - 7 DRAWER MOBILE TOOL CHEST

90 Days

- All replacement parts purchased outside of the warranty period

Important: All parts used in the repair or replacement of warranty covered equipment will be subject to a minimum of 90 days cover or the remaining duration of the warranty period from the original date of purchase.

Warranty Registration / Activation

You can register and activate your warranty by visiting the Jefferson Tools website using the following address:

www.jeffersontools.com/warranty and completing the online form.

Online warranty registration is recommended as it eliminates the need to provide proof of purchase should a warranty claim be necessary.

Warranty Repair

Should Jefferson confirm the existence of any defect covered by this warranty the defect will be corrected by repair or replacement at an authorized Jefferson dealer or repair centre.

Packaging & Freight Costs

The customer is responsible for the packaging of the equipment and making it ready for collection. Jefferson will arrange collection and transportation of any equipment returned under warranty. Upon inspection of the equipment, if no defect can be found or the equipment is not covered under the terms of the Jefferson warranty, the customer will be liable for any labour and return transportation costs incurred. These costs will be agreed with the customer before the machine is returned.

NOTE: * Jefferson reserve the right to void any warranty for damages identified as being caused through misuse *

Warranty Limitations

Jefferson will not accept responsibility or liability for repairs made by unauthorised technicians or engineers. Jefferson's liability under this warranty will not exceed the cost of correcting the defect of the Jefferson products.

Jefferson will not be liable for incidental or consequential damages (such as loss of business or hire of substitute equipment etc.) caused by the defect or the time involved to correct the defect. This written warranty is the only express warranty provided by Jefferson with respect to its products.

Any warranties of merchantability are limited to the duration of this limited warranty for the equipment involved.

Claiming Warranty Coverage

The end user must contact Jefferson Professional Tools & Equipment:

(Tel: +44 (0) 1244 646 048) or their nearest authorised Jefferson dealer where final determination of the warranty coverage can be ascertained.

Step 1 - Reporting the Defect

Online Method:

Visit our website www.jeffersontools.com/warranty and complete the Warranty Returns form. You can complete the form online and submit it to us directly or download the form to print out and return by post.

Telephone Method:

Contact your Jefferson dealer or sales representative with the following information:

- Model number
- Serial number (usually located on the specification plate)
- Date of purchase

A Warranty Returns form will be sent to you for completion and return by post or fax, together with details of your nearest authorised Jefferson repair centre. On receipt of this form Jefferson will arrange to collect the equipment from you at the earliest convenience.

Step 2 - Returning the Equipment

It is the customer's responsibility to ensure that the equipment is appropriately and securely packaged for collection, together with a copy of the original proof of purchase. Please note that Jefferson cannot assume any responsibility for any damage incurred to equipment during transit. Any claims against a third party courier will be dealt with under the terms & conditions of their road haulage association directives.

NOTE: Jefferson will be unable to collect or process any warranty requests without a copy of the original proof of purchase.

Step 3 - Assessment and Repair

On receipt, the equipment will be assessed by an authorised Jefferson engineer and it will be determined if the equipment is defective and in need of repair and any repairs needed are covered by the warranty policy. In order to qualify for warranty cover all equipment presented must have been used, serviced and maintained as instructed in the user manual.

Where repair is not covered by the warranty a quotation for repair, labour costs and return delivery will be sent to the customer (normally within 7 working days). Note: If the repair quotation is not accepted Jefferson Professional Tools & Equipment will invoice 1 hour labour time at £30 per hour plus return carriage costs (plus VAT).

In cases where no fault can be found with the equipment, or, if incorrect operation of the equipment is identified as the cause of the problem, a minimum of 1 hour labour at £30 per hour plus carriage costs will be required before the equipment will be despatched back to the customer.

Any equipment repaired or replaced under warranty will normally be ready for shipment back to the customer within 7 working days upon receipt of the equipment at an authorised Jefferson Repair centre (subject to part availability). Where parts are not immediately available Jefferson will contact you with a revised date for completion of the repair.

General Warranty Enquiries

For any further information relating to Jefferson warranty cover please call:

+44 (0) 1244 646 048 or send your enquiry via email to warranty@jeffersontools.com

Disclaimer:

The information in this document is to the best of our knowledge true and accurate, but all recommendations or suggestions are made without guarantee. Since the conditions of use are beyond their control, Jefferson Tools® disclaim any liability for loss or damage suffered from the use of this data or suggestions.

Furthermore, no liability is accepted if use of any product in accordance with this data or suggestions infringes any patent. Jefferson Tools® reserve the right to change product specifications and warranty statements without further notification. All images are for illustration purposes only.