

42" 12 DRAWER PROFESSIONAL TOOL CHEST

JEFTB42-12C



WARNING!

Read carefully and understand all ASSEMBLY AND OPERATION INSTRUCTIONS before operating.
Failure to follow the safety rules and other basic safety precautions may result in serious personal injury

Important Safety Information:

ASSEMBLY PRECAUTIONS

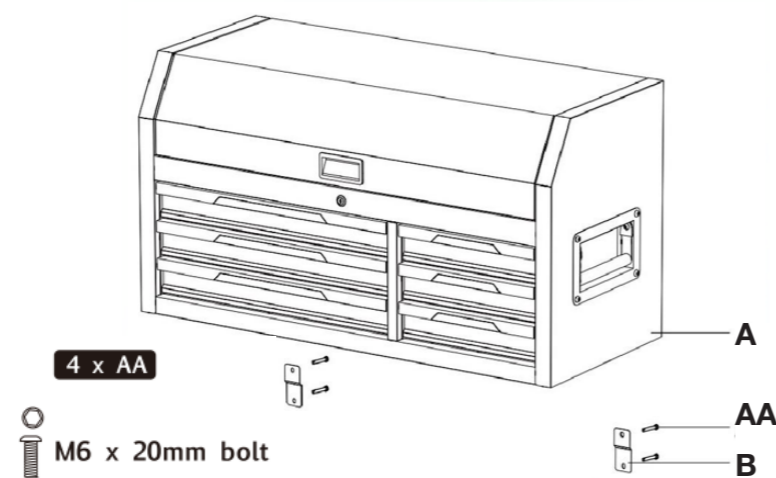
1. Assemble only according to these instructions. Improper assembly can create hazards.
2. Wear safety goggles and heavy-duty work gloves during assembly.
3. Keep assembly area clean and well lit.
4. Keep bystanders out of the area during assembly
5. Do not assemble when tired or when under the influence of alcohol, drugs or medication.
6. Weight capacity and other product capabilities apply to properly and completely assembled product only.
7. Total weight capacity: 544kg. Standard Drawer Capacity: 45kg
8. Assemble on a flat, level, hard and smooth surface capable of safely supporting loaded cabinet.

TO PREVENT SERIOUS INJURY AND DEATH FROM TIPPING:

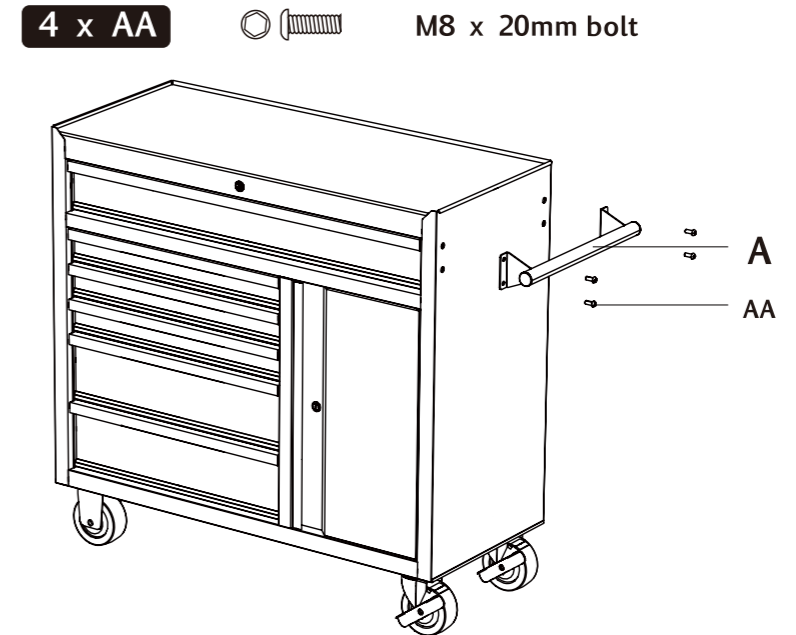
1. DO NOT OPEN MORE THAN ONE DRAWER AT ONCE. This cabinet cannot prevent multiple drawers from opening.
2. LOAD FROM BOTTOM UP ONLY.
3. DO NOT SIT, STAND OR CLIMB ON THIS ITEM.
4. This product is not a toy nor a toy chest. Do not allow children to play with or near this item.
5. Do not use for food preparation.
6. Evenly distribute load from bottom up. Be aware of dynamic loading! Sudden load movement may briefly create excess load causing product failure.
7. Empty, close, and lock drawers before moving.
8. Use only on a flat, level, hard and smooth surface capable of safely supporting a fully loaded cabinet.
9. Do not move or lift while loaded.
10. This product is not designed for use in vehicles, ie. trucks, vans, utes, etc.
11. Use as intended only.
12. Inspect before every use, do not use if parts are loose or damaged.

Top Chest Key Diagram

NO	NAME	QTY
A	TOP CHEST	1
B	CONNECTING PLATE	2



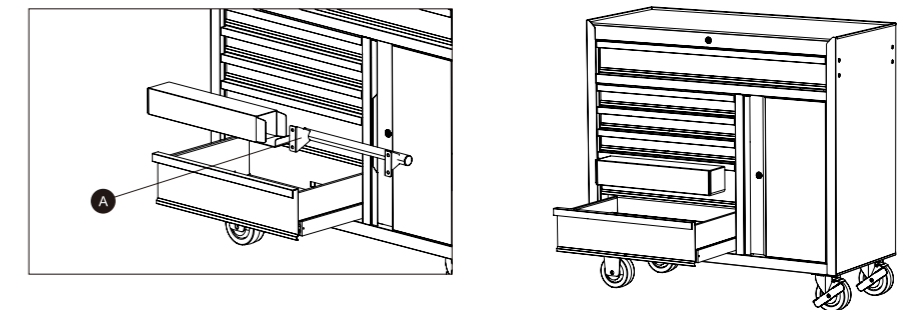
Important Safety Information:



Assembly

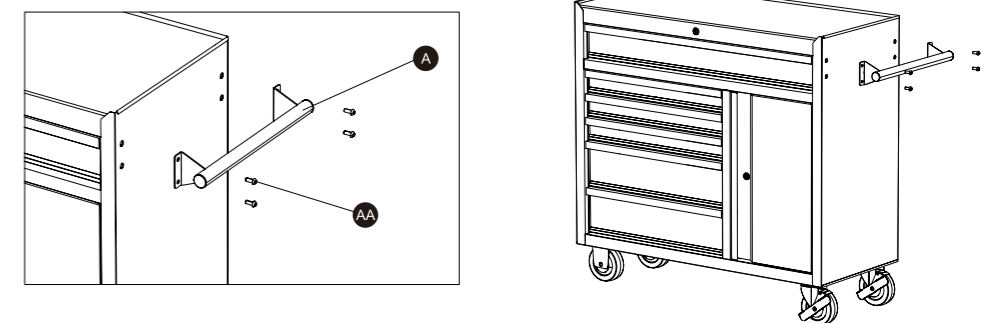
STEP 1
Take out the roller cabinet handle from the bottom drawer.

NO	A	QTY
NAME	Roller Cabinet Handle	1



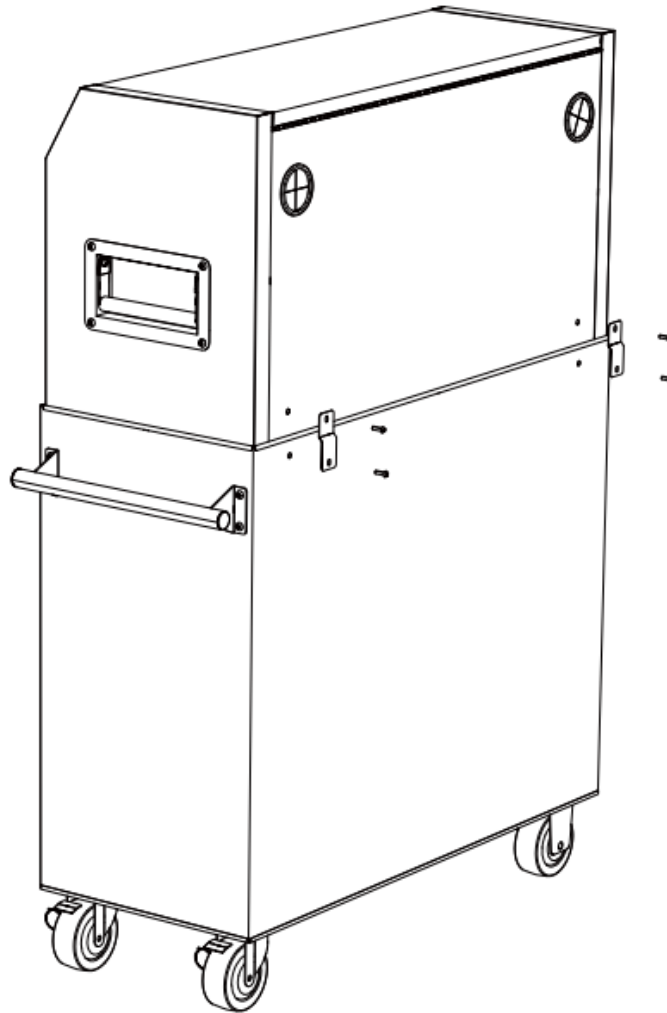
STEP 2
Fix the handle (A) to M8 x 20mm bolt (AA).

NO	A	AA
NAME	Roller Cabinet Handle	M8 X 20mm Bolt
QTY	1	4



Assembly Continued

STEP 3
Place the top chest on the roller cabinet.



Jefferson[®]
PROFESSIONAL TOOLS & EQUIPMENT

Jefferson Professional Tools & Equipment
24 Lisgorgan Lane, Upperlands, BT46 5TE

Tel: +44 (0)1244 646 048 (UK)
+353 (0)1473 0300 (ROI)

Email: info@jeffersonstools.com