

FIBREGLASS MULTI-PURPOSE LADDER

FG4



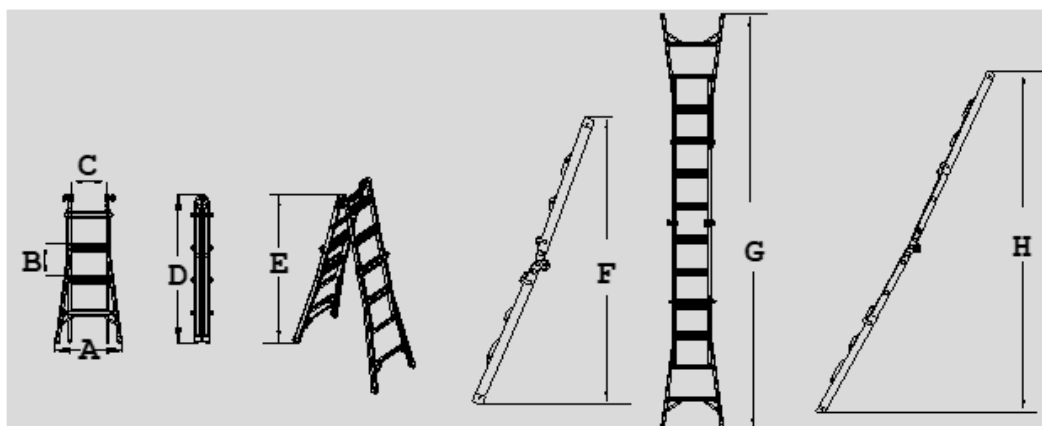
EN131

FEATURES

- Lightweight anti-corrosive Fibreglass frame with strong double aluminium rivet construction
- Advanced auto-locking technology locks securely and safely into multiple positions
- Spring loaded J locks for quick and easy working height adjustment
- Easily converts between Telescopic Ladder, Extension Ladder and Stairway Ladder
- Anti-slip feet and rung threads
- Smooth glide wheels to aid transportation
- EN 131 Class - Duty Rating: 115kg / Maximum Load: 150kg

SPECIFICATIONS

Model Number:	JEFLADMPFG-04	JEFLADMPFG-05
Number Of Treads:	4	5
Feet Width (A) :	70cm	70cm
Tread Height (B) :	28cm	28cm
Section Width (C) :	33cm	33cm
Closed Height (D) :	127cm	155cm
Open Height Stepladder 'A' Frame (E) :	121cm	148cm
Extended Working Height (F) :	134cm	187cm
Fully Extended Height (G) :	414cm	527cm
Fully Extended Working Height (H) :	305cm	419cm
Weight:	18kg	21.5kg
Duty Rating:	115kg	115kg
Maximum Static Weight:	150kg	150kg



Important: Please read and understand all safety instructions before use. Failure to follow these instructions may result in serious injury or death. Jefferson Tools assumes no liability for damage or injury that may result from failing to follow all instructions correctly. Read and familiarise yourself with all the safety labels on the ladder before use.



SAFETY GUIDELINES

General Safety

Jefferson Multipurpose Ladders have a maximum static load of **150kg** and a duty rating of **115kg**.

Ensure that the total weight of the user, tools and materials do not exceed this recommended working load guideline.

- Inspect the ladder for safety before each use.
- If you find signs of damage, have it repaired before using it.
- Never use the ladder with missing, worn or damaged parts.
- Do not use the ladder if it has been exposed to excessive heat or corrosive agents (such as acids or alkalis).
- Regularly inspect the ladder feet and replace them when they show signs of wear.
- Always keep the ladder clean of all foreign materials and clean it after each use.
- Check moving parts regularly and lubricate them when necessary.
- Avoid getting lubricant on the rungs or side rail, as this may cause a slip hazard.

Placement & Setup

- Place the feet of the ladder on firm, level ground to ensure that they are fully supported to prevent any movement.
- Never place anything on or under the ladder to gain height or use unstable means to adjust for uneven surfaces.
- Do not use the ladder in front of unlocked doors, or anywhere you may be hit by moving people or objects.
- If you need to use the ladder on a slippery surface, secure it to prevent it from sliding before you climb it. The use of ladders on drop cloths may present a sliding hazard.
- Do not force the hinges in or out using any tools. Doing so may cause permanent damage to the hinge mechanism.
- If there is pressure on the hinge lock pins, they may not open properly. Relieve the pressure by moving one half of the ladder back and forth until the hinge locks move with minimal force.
- Where applicable, ensure that the hinge locks are securely engaged before climbing your ladder.
- Make sure each lock tab is fully engaged into the appropriate rung tube before climbing. Failure to do so may result in injury.
- Set up your ladder so the rungs are always level from front to back and from side to side.

Recommended use

- Never use a ladder while you are under the influence of alcohol, drugs or medication, or when you are not physically fit to use it.
- Use extreme caution when getting on or off ladder. When possible, have someone hold the ladder to stabilise it.
- Do not stand above the third rung from top when the ladder is fully extended.
- Over-reaching may cause you to lose your balance or tip the ladder. Do not lean too far over the side of the ladder and keep three points of contact at all times.
- Never move the ladder while someone is on it.
- When using the ladder as a stepladder or extension ladder, always face the ladder and maintain a firm grip.
- Use extreme caution when pushing or pulling anything while standing on the ladder.
- Never use the ladder as a brace or use ladder jacks.
- Keep all ladder rungs, ladder feet, work platforms, and other standing and gripping surfaces clean and free from foreign materials.
- If a spill occurs, clean it up before continuing work.
- Use caution when using the ladder around electricity. Ensure that the ladder does not come in contact with electrical wires, circuits or currents.
- If you have to work outdoors or in windy conditions, take extra caution.
- Keep clothing and body parts out of all moving mechanisms, including the hinge locks and lock tabs, to avoid pinching.
- Keep clothing and body parts away from rungs when telescoping the outer ladder over the inner ladder.

Using on uneven surface

- When using your ladder on a staircase, ensure that the rungs are level and that each foot is on a solid, secure surface.

Extension ladder tips

- Do not allow the full weight of the ladder to fall on the hinges as the ladder folds from the extension to the A-frame position.
- When releasing the lock tabs, make sure you support the inner ladder assembly with one hand to prevent it from sliding down rapidly.
- Failure to do so may result in injury.
- Use the proper angle for the extension ladder position. The distance from the base of the ladder to the bottom of the support wall should be one quarter the working height of the extension ladder.
- The minimum distance between the ladder and the support wall must be at least one metre.
- When using your ladder as a tall extension ladder, stake the feet to the ground and tie down the top for extra security.
- Extend the ladder at least one metre above a supporting roof.

EQUIPMENT IDENTIFICATION

The Jefferson Multi-Purpose Ladder is made up of 3 main components:

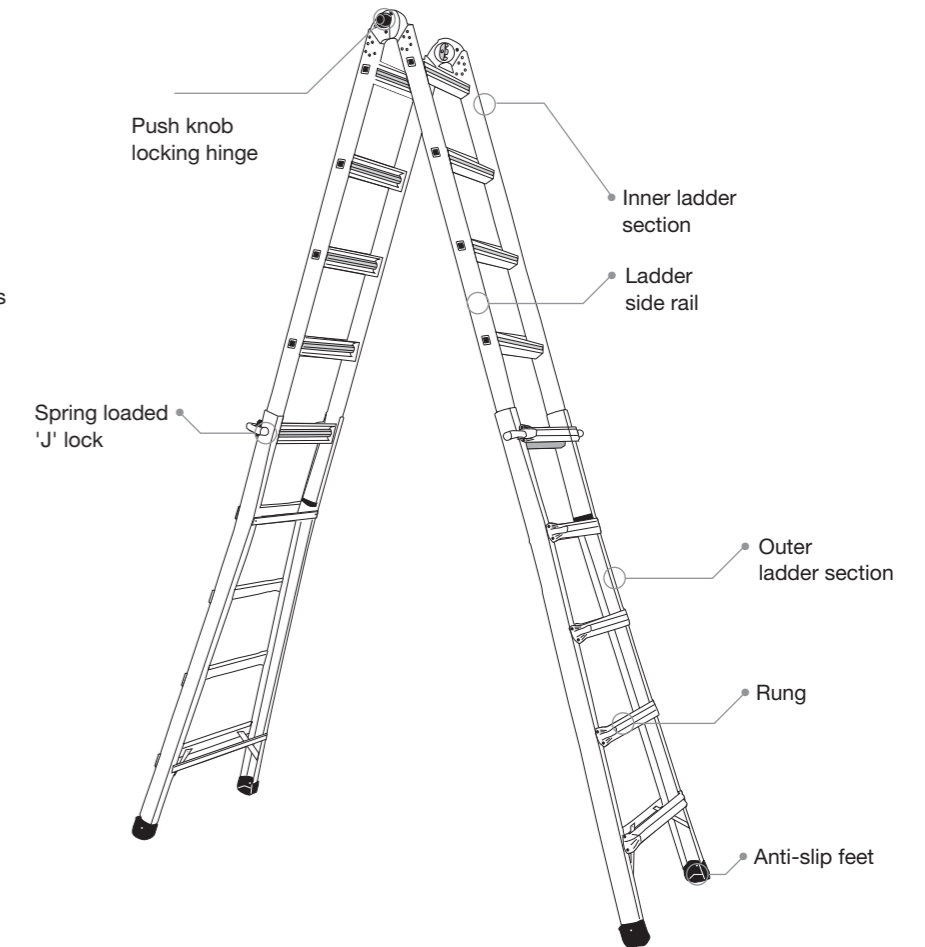
1 Inner Ladder Section and 2 Outer Ladder Sections.

The inner and outer sections work together using hinge locks and lock tabs which enable you to adjust and extend the ladder into different lengths and positions.

The 3 main working configurations are:

1. A-Frame Stepladder
2. Uneven A-Frame Stepladder
3. Extension Ladder

See Page 4 for further information on setting up the ladder to work in each configuration.



OPERATION GUIDE

Push Knob Hinge Locks - Change your ladder's shape

The ladder's inner section allows the ladder to be folded into 3 set positions; extension ladder, twin stepladders, and storage.

Each of these configurations is made possible by the push knob locking hinge located on each side of the ladder.

To adjust the angle of the ladder:

- 1) With the center hinges in the closed position (Fig. 1) push the knobs with the palm of your hand directly onto the centre of the ladder, they will stay in the open position.
- 2) In the open position (Fig. 2) the ladder angle can be adjusted.

Note: The open position can be verified by the exposed triple inner posts on the push knob.

- 3) When the ladder reaches any of the 3 set positions, the push knobs will automatically spring back into the closed position.
- 4) To close ladder to the folded position, repeat steps 1-3.

WARNING!

- Serious injury or death could result if supporting hinges are NOT LOCKED when ladder in use.
- Make certain supporting hinges are LOCKED before using ladder EACH TIME.

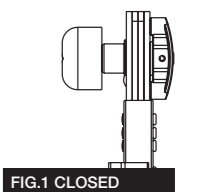


FIG.1 CLOSED

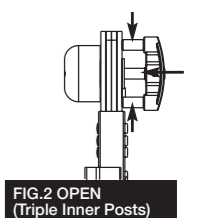
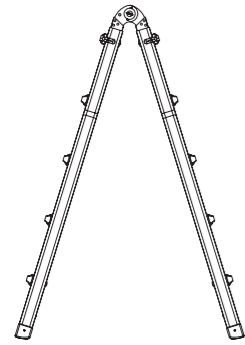


FIG.2 OPEN
(Triple Inner Posts)

LADDER CONFIGURATIONS



1. A-Frame Stepladder

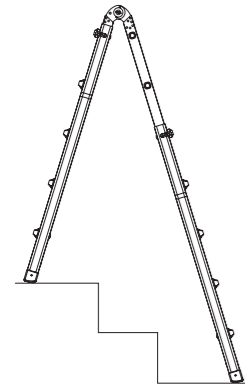
1) The A-Frame position is easiest completed with the ladder standing up as excess pressure is not exerted on the hinge.

At this point the height of the ladder can be changed to the desired height using the Spring loaded "J" locks

- For every position all hinges are supporting hinges and must be locked
- Never straddle front and rear sections.
- Always face ladder and maintain firm grip while on it.
- DO NOT stand on or above second rung from top of ladder

CAUTION!

- Always face ladder and maintain firm grip while on it.
- DO NOT stand on or above the second rung from the top of ladder.



2. Uneven A-Frame (Stair Ways)

- 1) Raise to desired height.
- 2) Lower one side of the inner section until the desired step height is reached.
- 3) Position ladder on stairway, ensuring all legs are on firm ground or steps.

CAUTION!

- Hinges and "J" locks must be secure before climbing.
- DO NOT stand on or above second rung from top of ladder.
- Refer to set up caution label on ladder for proper set up.



3. Extension Ladder

Note: The extension ladder position is easiest completed with the ladder laying on the ground.

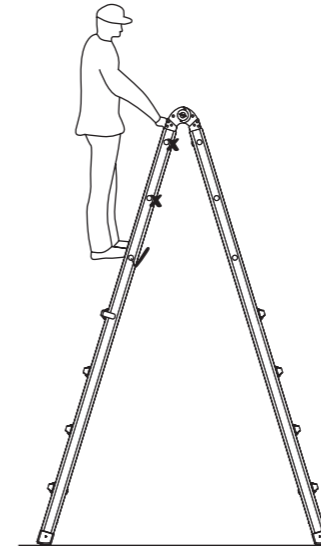
(1) Configuring the ladder into the extension ladder position, as with the stepladder position, the extension ladder position starts with changing the angle.

Note: The push knob hinge will catch in each of the 3 positions. Continue to disengage and rotate the sections until the fully open extension ladder position is reached.

- (2) Unlock one set of "J" locks and extend outer section to desired length. If additional height is needed, repeat with opposite side. Make sure "J" locks are properly re-engaged.
- (3) With all locks properly engaged, lift ladder from one end and slowly walk ladder up until it rests against desired surface. Watch for overhead wires.
- (4) Adjust ladder to proper climbing position or approximately 75°.

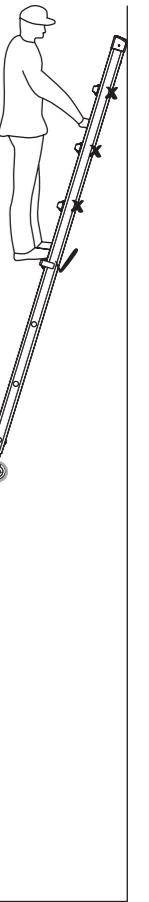
SAFETY LABELS

When using the ladder in the step-ladder position do not stand on the upper two rungs as this will cause the ladder to be unstable.

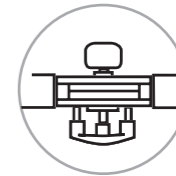


When using the ladder in the fully extended position do not stand on the upper three rungs as this will cause the ladder to be unstable.

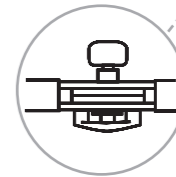
Make sure to always keep at least one hand securely gripping the ladder while working in this position.



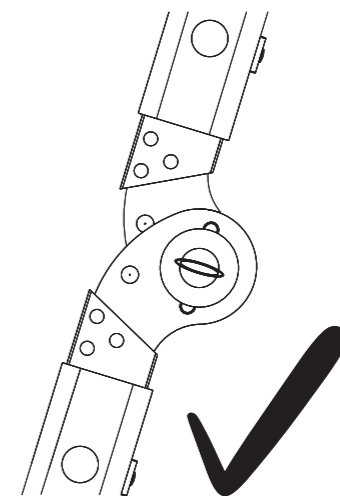
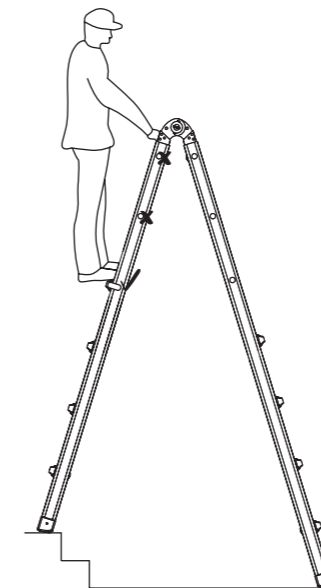
Unlocked
Triple inner post showing



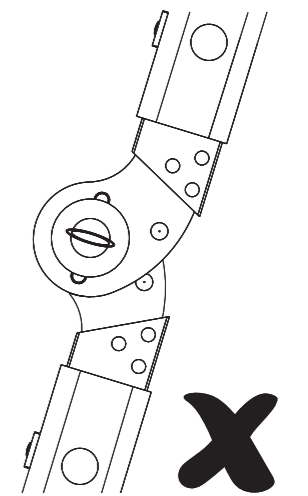
Locked
No triple inner post showing



When using the ladder in the step-ladder position placed on a staircase, do not stand on the upper two rungs as this will cause the ladder to be unstable.



Correct Positioning



Incorrect Positioning

Always ensure the lock is facing the surface you are placing the ladder against. Failure to do so may cause the locks to fail whilst using the ladder.

EC DECLARATION OF CONFORMITY

We, Jefferson Tools, as the authorised European Community representative of the manufacturer, declare that the following equipment conforms to the requirements of the following Directives:

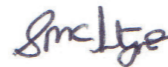
Directive:	Description:
EN 131-1:2015 + A1:2019	Ladders - Part 1: Terms, types, functional sizes
EN 131-2:2010+A2:2017	Ladders - Requirements, testing, marking
EN 131-3:2020	Ladders - User instructions
EN 131-4:2020	Ladders - Single or multiple hinge-joint ladders

Equipment Category: Multi-Purpose Ladder

Product Name/Model: JEFLADMPFG-04

Notified Body: SGS / FUJIAN XIANGXIN LIGHT ALLOY MANUFACTURING CO., LTD
LAN JIAO SHENG INDUSTRIAL AREA, SHANG GAN TOWN, MIN HOU, FUZHOU, FUJIAN, CHINA 350112

Signed by: Stephen McIntyre



Position in the company: Operations Director

Date: 31 May 2023

Name and address of manufacturer or authorised representative: Jefferson Tools, 24 Lisgorgan Lane, Upperlands, BT46 5TE
T: +44 (0)1244 646 048 (UK) / +353 (0)1473 0300 (ROI)
E: info@jeffersontools.com

LIMITED WARRANTY STATEMENT

Jefferson Professional Tools & Equipment, or hereafter "Jefferson" warrants its customers that its products will be free of defects in workmanship or material. Jefferson shall, upon suitable notification, correct any defects, by repair or replacement, of any parts or components of this product that are determined by Jefferson to be faulty or defective.

This warranty is void if the equipment has been subjected to improper installation, storage, alteration, abnormal operations, improper care, service or repair.

Warranty Period

Jefferson will assume both the parts and labour expense of correcting defects during the stated warranty periods below.

All warranty periods start from the date of purchase from an authorised Jefferson dealer. If proof of purchase is unavailable from the end user, then the date of purchase will be deemed to be 3 months after the initial sale to the distributor.

1 Year

Jefferson Multi Purpose Ladders • • JEFLADMPFG-04

90 Days

• All replacement parts purchased **outside** of the warranty period

Important: All parts used in the repair or replacement of warranty covered equipment will be subject to a minimum of 90 days cover or the remaining duration of the warranty period from the original date of purchase.

Warranty Registration / Activation

You can register and activate your warranty by visiting the Jefferson Tools website using the following address: www.jeffersontools.com/warranty and completing the online form. Online warranty registration is recommended as it eliminates the need to provide proof of purchase should a warranty claim be necessary.

Warranty Repair

Should Jefferson confirm the existence of any defect covered by this warranty the defect will be corrected by repair or replacement at an authorized Jefferson dealer or repair centre.

Packaging & Freight Costs

The customer is responsible for the packaging of the equipment and making it ready for collection. Jefferson will arrange collection and transportation of any equipment returned under warranty. Upon inspection of the equipment, if no defect can be found or the equipment is not covered under the terms of the Jefferson warranty, the customer will be liable for any labour and return transportation costs incurred.

These costs will be agreed with the customer before the machine is returned.

* Jefferson reserve the right to void any warranty for damages identified as being caused through misuse

Warranty Limitations

Jefferson will not accept responsibility or liability for repairs made by unauthorised technicians or engineers. Jefferson's liability under this warranty will not exceed the cost of correcting the defect of the Jefferson products.

Jefferson will not be liable for incidental or consequential damages (such as loss of business or hire of substitute equipment etc.) caused by the defect or the time involved to correct the defect. This written warranty is the only express warranty provided by Jefferson with respect to its products.

Any warranties of merchantability are limited to the duration of this limited warranty for the equipment involved.

Jefferson is not responsible for cable wear due to flexing and abrasion. The end user is responsible for routine inspection of cables for possible wear and to correct any issues prior to cable failure.

Claiming Warranty Coverage

The end user must contact Jefferson Professional Tools & Equipment (Tel: +44 (0) 1244 646 048) or their nearest authorised Jefferson dealer where final determination of the warranty coverage can be ascertained.

Step 1 - Reporting the Defect

Online Method:

- Visit our website www.jeffersonstools.com/warranty and complete the Warranty Returns form. You can complete the form online and submit it to us directly or download the form to print out and return by post.

Telephone Method:

Contact your Jefferson dealer or sales representative with the following information:

- Model number
- Serial number (usually located on the specification plate)
- Date of purchase

A Warranty Returns form will be sent to you for completion and return by post or fax, together with details of your nearest authorised Jefferson repair centre. On receipt of this form Jefferson will arrange to collect the equipment from you at the earliest convenience.

Step 2 - Returning the Equipment

It is the customer's responsibility to ensure that the equipment is appropriately and securely packaged for collection, **together with a copy of the original proof of purchase**. Please note that Jefferson cannot assume any responsibility for any damage incurred to equipment during transit. Any claims against a third party courier will be dealt with under the terms & conditions of their road haulage association directives.

Please note: Jefferson will be unable to collect or process any warranty requests without a copy of the original proof of purchase.

Step 3 - Assessment and Repair

On receipt, the equipment will be assessed by an authorised Jefferson engineer and it will be determined if the equipment is defective and in need of repair and any repairs needed are covered by the warranty policy. In order to qualify for warranty cover all equipment presented must have been used, serviced and maintained as instructed in the user manual.

Where repair is not covered by the warranty a quotation for repair, labour costs and return delivery will be sent to the customer (normally within 7 working days).

Note: If the repair quotation is not accepted Jefferson Professional Tools & Equipment will invoice **1 hour labour time at £30 per hour plus return carriage costs (plus VAT)**.

In cases where no fault can be found with the equipment, or, if incorrect operation of the equipment is identified as the cause of the problem, a minimum of 1 hour labour at **£30 per hour plus carriage costs** will be required before the equipment will be despatched back to the customer.

Any equipment repaired or replaced under warranty will normally be ready for shipment back to the customer within 7 working days upon receipt of the equipment at an authorised Jefferson Repair centre (subject to part availability). Where parts are not immediately available Jefferson will contact you with a revised date for completion of the repair.

General Warranty Enquiries

For any further information relating to Jefferson warranty cover please call **+44 (0) 1244 646 048** or send your enquiry via email to **warranty@jeffersonstools.com**

Disclaimer:

The information in this document is to the best of our knowledge true and accurate, but all recommendations or suggestions are made without guarantee. Since the conditions of use are beyond their control, Jefferson Tools® disclaim any liability for loss or damage suffered from the use of this data or suggestions. Furthermore, no liability is accepted if use of any product in accordance with this data or suggestions infringes any patent. Jefferson Tools® reserve the right to change product specifications and warranty statements without further notification. All images are for illustration purposes only.