

**NEEMESIS<sup>™</sup>**

**2.2  
5**

**TONNE  
TROLLEY  
JACK**



**WARNING!**

Read carefully and understand all ASSEMBLY AND OPERATION INSTRUCTIONS before operating.  
Failure to follow the safety rules and other basic safety precautions may result in serious personal injury

## Safety and General Information

*Save these instructions. For your safety, read, understand, and follow the information provided with and on this device before using. The owner and/or operator shall have an understanding of the device, its operating characteristics and safety operating instructions before operating the equipment. The owner and/or operator shall be aware that use and repair of this product may require special skills and knowledge. Instructions and safety information shall be read to and discussed with the operator in the operator's native language, making sure that the operator comprehends their contents, before use of this equipment is authorised. If any doubt exists as to the safe and proper use of this device, remove from service immediately. Inspect before each use. Do not use if abnormal conditions such as cracked welds, damaged, loose or missing parts are noted. Any equipment that appears damaged in any way, is found to be worn, or operates abnormally shall be removed from service until repaired. If the equipment has been or is suspected to have been subjected to an abnormal load or shock, immediately discontinue use until inspected by a factory authorised repair facility (contact distributor or manufacturer for list of authorised repair facilities). It is recommended that an annual inspection be made by an authorised repair facility. Labels and Operator's Manuals are available from the manufacturer.*

### **Product Description:**

Nemesis 2.25 Tonne Trolley Jack is designed to lift, but not support, one end of a vehicle. Immediately after lifting, loads must be supported by a pair of appropriately rated jack stands. Nemesis 2.25 Tonne Trolley Jack has a unique feature that provides fast, no load lifts to the jacking point, at which time it lifts in approximately 1/4"- 3/4" increments.

### **Warning!**

Do not lift or carry jack by handle. Handle could dislodge and jack fall, resulting in possible injury or property damage.

### **Before Use!**

Before using this product, read the operator's manual completely and familiarise yourself thoroughly with the product, its components and recognise the hazards associated with its use.

To familiarise yourself with basic operation, locate and turn the release valve (handle):

- Clockwise until firm resistance is felt to further turning. This is the 'CLOSED' release valve position used to raise the saddle.
- Counter-clockwise, but no more than 1/2 turn from the closed position. This is the 'OPEN' release valve position used to lower the saddle.
- With saddle fully lowered, and release valve closed, pump the operating handle. If lift arm responds immediately, jack is ready for use. If jack does not respond, follow Bleeding/Venting Trapped Air procedure below.

## Product Description:

With the Release Valve in the OPEN position and Saddle fully lowered, locate and remove the Oil Filler Plug/Screw. Pump Handle 6 to 8 full strokes. This will help release any pressurised air which may be trapped within the reservoir. Check oil level and reinstall Oil Filler Plug/Screw.

## Warning!

- Study, understand, and follow all instructions before operating this device.
- Do not exceed rated capacity.
- Use only on hard, level surface.
- Lifting device only. Immediately after lifting, support the vehicle with appropriate means.
- Do not move or dolly the vehicle while on the jack.
- Lift only on areas of the vehicle as specified by the vehicle manufacturer.
- No alterations shall be made to this product.
- Failure to heed these markings may result in personal injury and/or property damage.

## To avoid crushing and related injuries:

- Never work on, under or around a load supported only by hydraulic jack.
- Always use a pair of adequately rated jack stands.
- Chock each unlifted tire in both directions.
- Do not use this device to lift, level, lower, support nor move a house, mobile home, travel trailer, camper or any building structure.
- Be alert and sober when using this product. Do not operate under the influence of drugs or alcohol.

## Operation:

1. Follow the vehicle manufacturer's recommended guidelines for lifting. Engage the emergency brake and chock each unlifted wheel in both directions to prevent inadvertent vehicle movement.
2. Close the release valve by turning the handle clockwise until firm resistance is felt.
3. Refer to the vehicle manufacturer owner's manual to locate approved lifting points on the vehicle. Center jack saddle under lift point.
4. Pump handle to contact lift point. To lift, continue pumping until load reaches desired height.
5. Transfer the load immediately to appropriately rated jack stands.

## Lowering:

**Warning!** Clear all tools and personnel before lowering load. Open release valve slowly. The further handle is turned counter-clockwise, the faster the load will descend. Maintain control of the load at all times.

1. Raise load high enough to clear jack stands.
2. Remove jack stands.
3. Slowly turn the handle counter-clockwise, but no more than 1/2 full turn.

If the load fails to lower:

- a. Use a functioning jack to raise the vehicle high enough to reinstall jack stands.
- b. Remove the malfunctioning jack and then the jack stands.
- c. Use the functioning jack to lower the vehicle.
4. After removing jack from under the vehicle, lower lifting arm completely to reduce ram exposure to rust and contamination.

## Maintenance

### Notice!

Use only good quality hydraulic jack oil. Avoid mixing different types of fluid and NEVER use brake fluid, turbine oil, transmission fluid, motor oil or glycerin. Improper fluid can cause premature failure of the jack and the potential for sudden and immediate loss of load. Premium hydraulic jack oil is recommended.

### Adding Oil:

- With saddle fully lowered set jack in its upright, level position. Remove vent screw.
- Fill with oil until  $-3/16$ " above the inner cylinder as seen from the oil filler hole.

### Changing Oil:

For best performance and longest life, replace the complete fluid supply at least once per year.

- With saddle fully lowered, remove vent screw.
- Lay the jack on its side and drain the fluid into a suitable container.

### Notice:

Dispose of hydraulic fluid in accordance with local environmental regulations.

Fill with oil until  $-3/16$ " above the inner cylinder as seen from the oil filler hole. Reinstall vent screw. Lubrication A periodic coating of light lubricating oil to pivot points, axles and hinges will help to prevent rust and assure that wheels, casters and pump assemblies move freely. Lubricate lift arm through grease fittings.

### Cleaning:

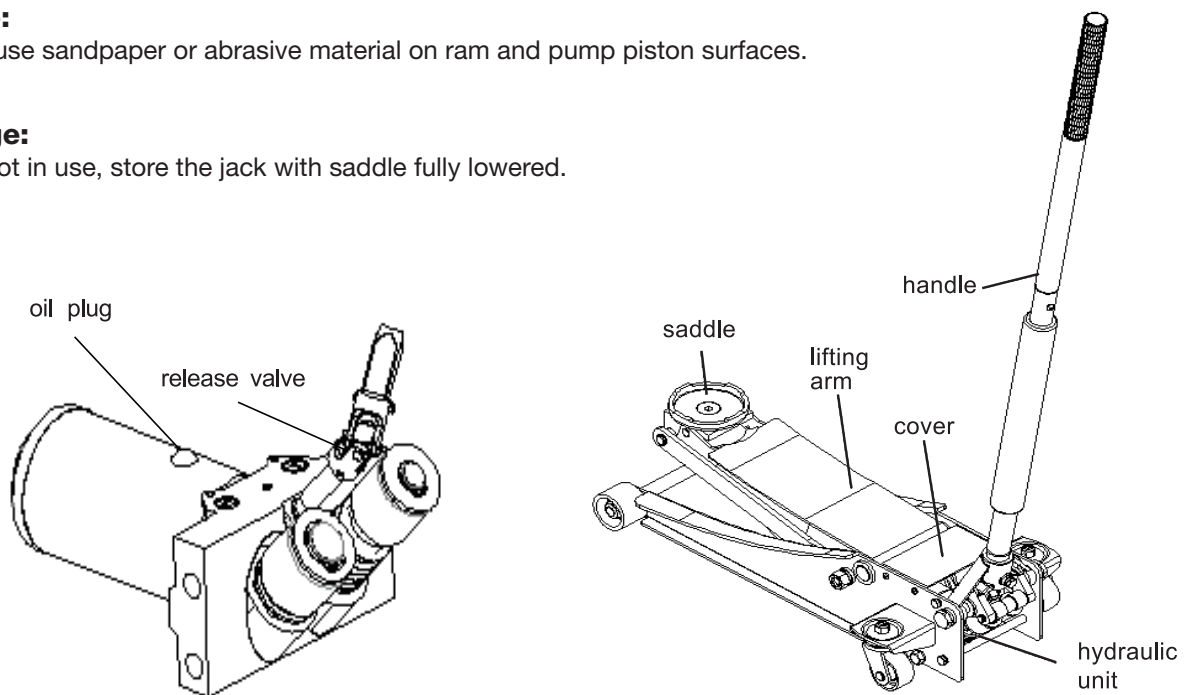
Check the pump piston and ram for signs of rust or corrosion. Clean as needed and wipe with an oily cloth.

### Notice:

Do not use sandpaper or abrasive material on ram and pump piston surfaces.

### Storage:

When not in use, store the jack with saddle fully lowered.



## Declaration of Conformity.

We, Jefferson Professional Tools & Equipment, as the authorised European Community representative of the manufacturer, declare that the following equipment conforms to the requirements of the following:

Machinery Directives:

Machinery Directives 2006/42/ EC

**Product Name:**

JEFJKNEMRL0225-Jefferson Nemesis  
2.25Tonne Rapid Lift Floor Jack

**Notified Body:**

TUV Rheinland LGA Products GMBH,  
Tillystrabe 2, 90431, Nurnberg Germany

**Signed by:**

Stephen McIntyre  
29 June 2023

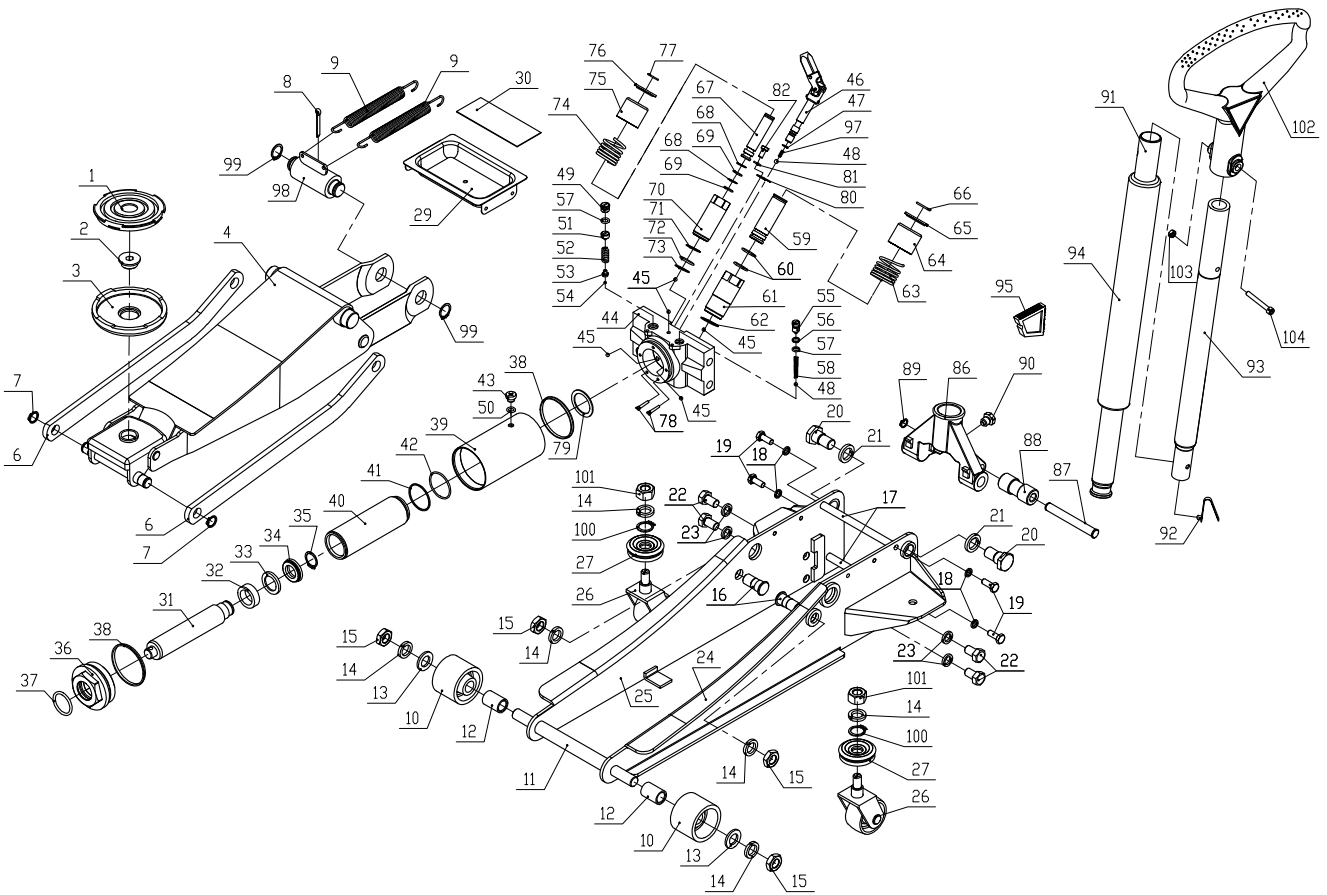
  
Operations Manager

**Name and address of manufacturer or  
authorised representative**

Jefferson Professional Tools & Equipment  
24 Lisgorgan Lane, Upperlands, BT46 5TE

Tel: +44 (0)1244 646 048 (UK)  
+353 (0)1473 0300 (ROI)  
Email: info@jeffersonstools.com

Product Diagram



## Product Diagram (List Parts)

REF.	DESCRIPTION	QTY	REF.	DESCRIPTION	QTY
1	SADDLE PAD	1	161	PUMP	1
2	SADDLE BOLT	1	62	WASHER	1
3	SADDLE	1	63	PUMP CORE REST SPRING	1
4	LIFTING ARM ASSEMBLY	1	64	SPRING SLEEVE	1
6	RADIUS LINK	2	65	SPRING STOP SHEET	1
7	SNAP RING	2	66	SNAP RING	1
8	RETAINER	1	67	PUMP PISTON	1
9	SPRING	2	68	BACK-UP WASHER	2
10	FRONT WHEEL	2	69	'O'RING	2
11	FRONT AXLE	1	70	PUMP	1
12	BEARING BUSH	2	71	BACK-UP WASHER	1
13	WASHER	2	72	'O'RING	1
14	LOCK WASHER	6	73	WASHER	1
15	NUT	4	74	PUMP CORE REST SPRING	1
16	RADIUS LINK STUD	2	75	SPRING SLEEVE	1
17	FRAME TIE ROD	2	76	SPRING STOP SHEET	1
18	LOCK WASHER	4	77	SNAP RING	1
19	HEX BOLT	4	78	FILTER	2
20	HANDLE BOLT	2	79	WASHER	1
21	LOCK WASHER	2	80	WASHER	1
22	BOLT	4	81	LOCK WASHER	1
23	LOCK WASHER	4	82	HEX BOLT	1
24	LEFT PLATE ASSEMBLY	1	86	HANDLE BASE	1
25	RIGHT PLATE ASSEMBLY	1	87	PIN	1
26	BEAR CASTER ASSEMBLY	2	88	ROLLER	1
27	BEARINGS	2	89	SNAP RING	1
29	TRESTLE TABLE	1	90	BOLT	1
30	RUBBER PAD	1	91	HANDLE	1
31	RAM PLUNGER	1	92	HANDLE LOCK BUTTON	1
32	BUSHING COVER	1	93	HANDLE	1
33	BACK-UP WASHER	1	94	ENVIRONMENTAL PROTECTION FOAM	1
34	Y-SEALING RING	1	95	BLOCK RUBBER	1
35	SNAP RING	1	97	RELEASE SPRING	1
36	TOP NUT	1	98	CORE TUBE ASSEMBLY	2
37	'O'RING	1	99	SNAP RING	2
38	WEDGE RING	2	100	SNAP RING	2
39	RESERVOIR	1	101	NUT	1
40	CYLINDER	1	102	D-HANDLE	1
41	BACK-UP WASHER	1	103	NUT	1
42	'O'RING	1	104	HEXAGON SOCKET HEAD CAP SCREW	1
43	SCREW	1			
44	BASE	1			
45	BALL	5			
46	RELEASE VALVE ASSY	1			
47	'O'RING	1			
48	BALL	2			
49	GUARD SCREW	1			
50	'O'RING	1			
51	SCREW SAFETY VALVE	1			
52	SPRING	1			
53	VALVE	1			
54	BALL	1			
55	BOLT	1			
56	BACK-UP WASHER	1			
57	'O'RING	2			
58	SPRING	1			
59	PUMP PISTON	1			
60	'O'RING	2			

# NEEMESIS<sup>™</sup>

## IMPORTANT! SAFETY FIRST!

Before attempting to use this product please read all the safety precautions and operating instructions outlined in this manual to reduce the risk of fire, electric shock or personal injury.

Jefferson Tools, 24 Liscgorgan Lane, Upperlands, BT46 5TE,  
**Telephone:** +44 (0)1244 646 048 (ROI) +353 (0)1473 0300 **Email:** enquiries@jeffersontools.com  
[www.jeffersontools.com](http://www.jeffersontools.com)